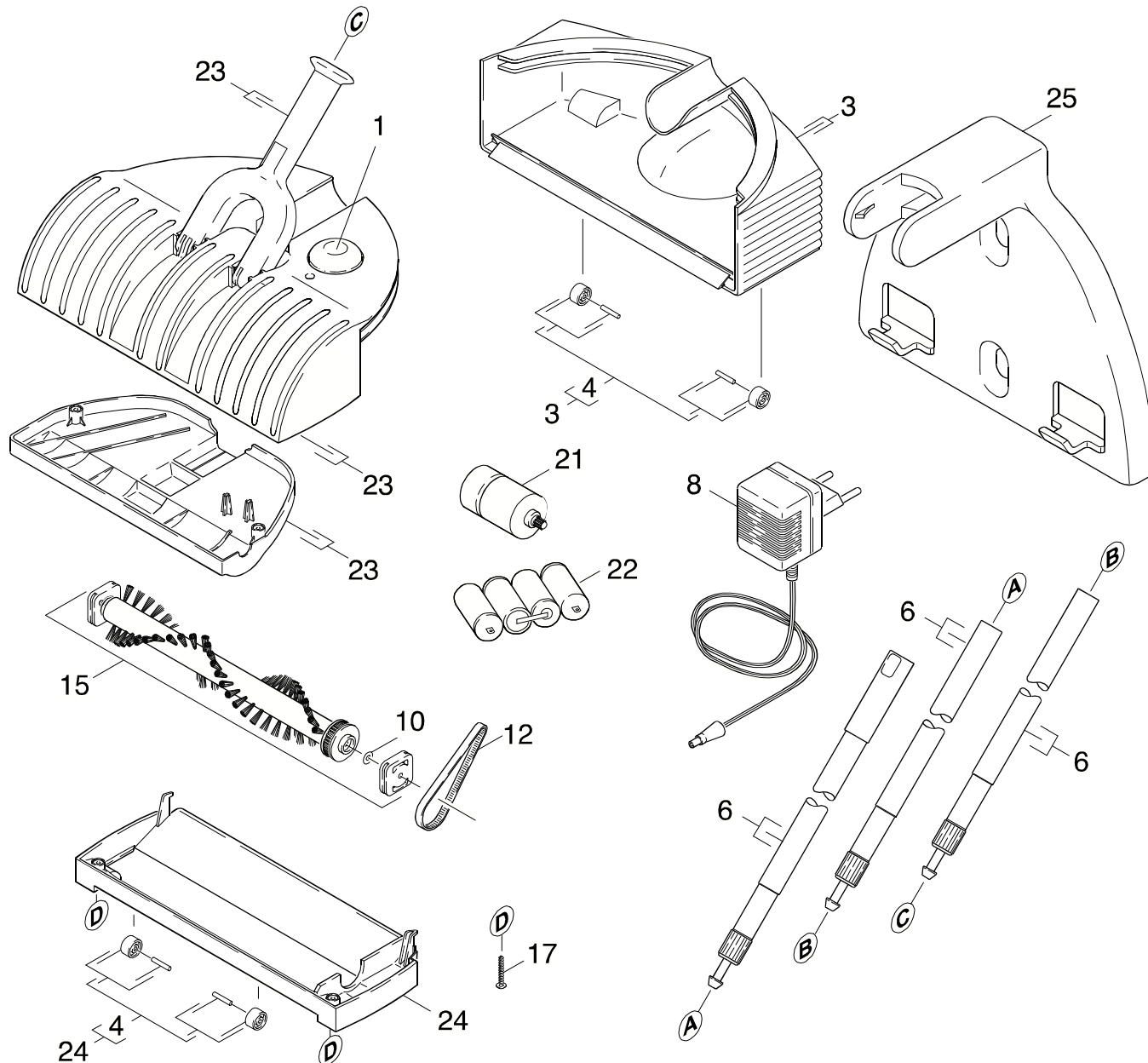


GRUPPE: 1.0 GERAET-EINZELTEILE  
GROUP: 1.0 APPLIANCE - PIECE PARTS  
GRUPPE: 1.0 USTENSILE-PIECES CONSTIT.

B1

K 50 E-BESEN



Symbolbeschreibung siehe M16 / symbol description see M16 / désignation de système voir M16 /

GRUPPE: 1.0 GERAET-EINZELTEILE  
 GROUP: 1.0 APPLIANCE - PIECE PARTS  
 GROUPE: 1.0 USTENSILE-PIECES CONSTIT.

C1

K 50 E-BESEN

| POS.<br>ITM.<br>POS. | BENNENUNG<br>DESCRIPTION<br>DESIGNATION   | TEILE-NR.<br>PART-NO.<br>NO.PIECE | STCK<br>QTY.<br>NBR. |
|----------------------|---|-----------------------------------|----------------------|
| 1                    | ERSATZTEILSATZ SCHALTER / SPARE PARTS KIT / KIT DE<br>PIECES                                      | 2.884-219.0                       | 1                    |
| 3                    | SCHMUTZBEHAELTER / DIRT BOX / BAC A SAFETE  | 4.070-399.0                       | 1                    |
| 4                    | ROLLEN KPL. / ROLLER / ROULETTES  | 4.515-066.0                       | 2                    |
| 6                    | STIEL / HANDLE / MANCHE   | 6.369-434.0                       | 1                    |
| 8                    | NETZTEIL / POWER SUPPLY / ALIMENTATION ELECTR.<br><b>/ 1.258-101.0 / -111.0 / -115.0</b>          | 6.682-537.0                       | 1                    |
| 8                    | NETZTEIL *AUS / POWER SUPPLY / ALIMENTATION ELECTR.<br><b>/ 1.258-103.0</b>                       | 6.682-554.0                       | 1                    |
| 8                    | NETZTEIL *GB / POWER SUPPLY / ALIMENTATION ELECTR.<br><b>/ 1.258-104.0 / -110.0 / -116.0</b>      | 6.682-555.0                       | 1                    |
| 8                    | NETZTEIL / POWER SUPPLY / ALIMENTATION ELECTR.<br><b>/ 1.258-105.0 / -112.0 / -113.0 / -114.0</b> | 6.682-556.0                       | 1                    |
| 8                    | NETZTEIL *J / POWER SUPPLY / ALIMENTATION ELECTR.<br><b>/ 1.258-106.0</b>                         | 6.682-557.0                       | 1                    |
| 8                    | NETZTEIL *RA / POWER SUPPLY / ALIMENTATION ELECTR.<br><b>/ 1.258-109.0</b>                        | 6.682-568.0                       | 1                    |
| 10                   | SCHEIBE 4 / WASHER / RONDELLE   | 7.312-072.0                       | 1                    |
| 12                   | ZAHNRIEMEN / TOOTHED BELT / COURROIE DENTEE   | 6.348-351.0                       | 1                    |
| 15                   | BUERSTENWALZE KPL. / ROLLER BRUSH / TAMBOUR DE<br>BROSSE  | 4.762-275.0                       | 1                    |
| 17                   | SCHRAUBE 3 X 12 / SCREW / VIS   | 7.303-092.0                       | 5                    |
| 21                   | MOTOR KPL. / MOTOR / MOTEUR   | 4.623-471.0                       | 1                    |
| 22                   | AKKU / ACCUMULATOR / ACCUMULATEUR   | 6.654-118.0                       | 1                    |
| 22                   | AKKU K 50 NIMH / ACCUMULATOR / ACCUMULATEUR<br><b>/ 1.258-115.0</b>                               | 6.654-138.0                       | 1                    |
| 23                   | GEHAEUSE OT KOMPL. / HOUSING / BOITIER  | 4.060-473.0                       | 1                    |
| 24                   | GEHAEUSEUNTERTEIL / BOTTOM OF COVER / COUVERCLE<br>(PARTIE INF.)                                  | 4.060-462.0                       | 1                    |
| 25                   | WANDHALTER KPL. / WALL FASTENING / SUPPORT MURAL  | 4.672-105.0                       | 1                    |

"=> xxxxxx" = bis Werknummer / up to serial No. / jusqu' au No. de fabr. / "xxxxxx =>" = ab Werknummer / from serial No. / a partir du No. de fabr. /